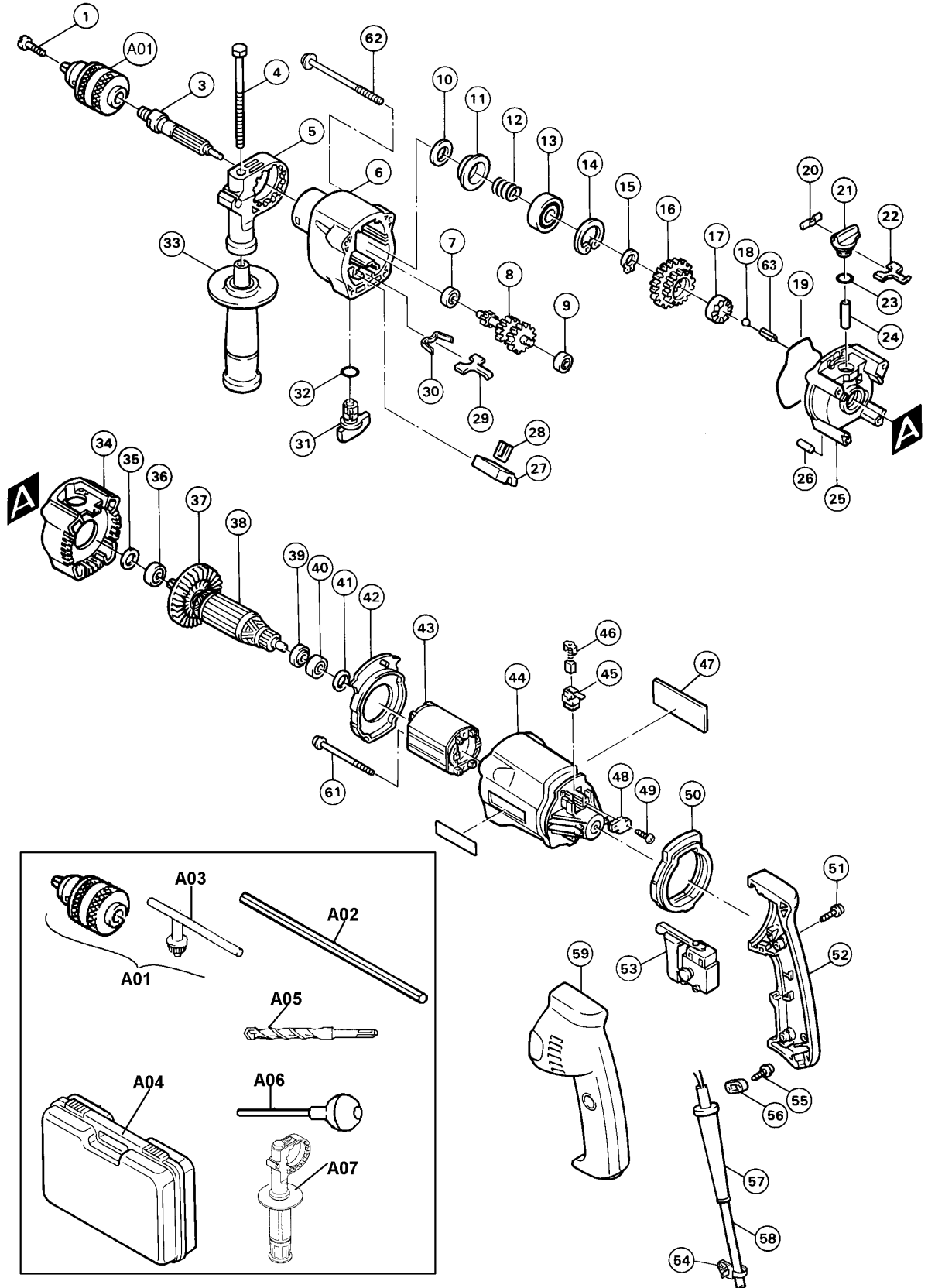


**3/4" HAMMER DRILL 2 -SPEED V.S.**

**Model HP2030\*(MME)**

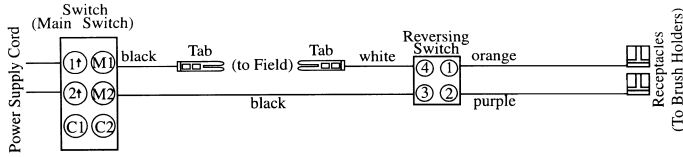
(Discontinued in 1999)

**Model HP2031 (MME)**



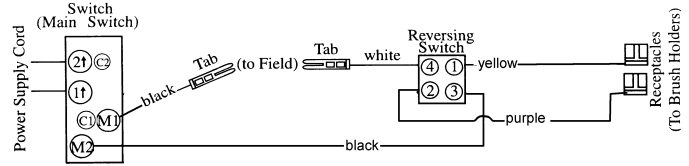
**WIRING DIAGRAM**

For Switch # 651935-4 with Type 1 Field # 633295-6



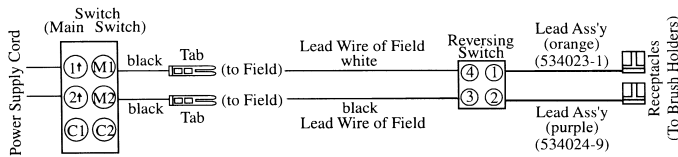
**WIRING DIAGRAM**

For Switch 651986-7 (TG803TLB-1) with Type 1 Field # 633295-6



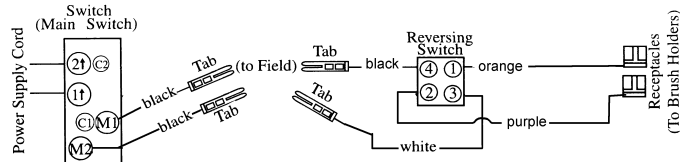
**WIRING DIAGRAM**

For Switch 651987-5 (J1MK721DV) with Type 1 Field # 633295-6



**WIRING DIAGRAM**

For Switch 651986-7 (TG803TLB-1) with Type 2 Field # 633410-2



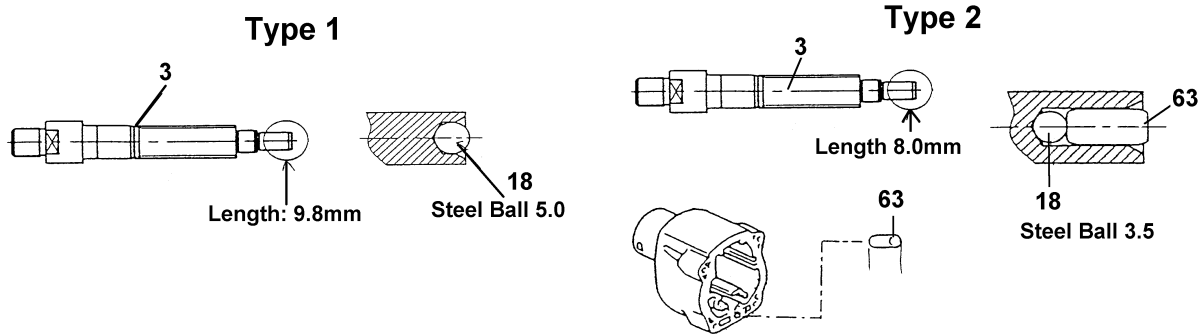
Item No.	Part No.	No. Used	Description	Item No.	Part No.	No. Used	Description
1	251425-3	1	(-) Flat Head Screw M6x22(Type 1)	33	152521-9	1	Grip 36 Com. (Old 152489-9)
	251460-1	1	(-) Flat Head Screw M6x22(Type 2)				(Includes Hex Nut M8 - 931402-8)
	251464-3	1	(-) Flat Head Screw M6x22 W/Glue (Type 3)	34	415615-4	1	Cam Hsg Cover
3	*	1	Spindle	35	253707-9	1	Flat Washer 16 *
4	921919-9	1	Hex Bolt M8x110	36	210005-4	1	Ball Bearing 608DDW
5	415485-1	1	Grip Base	37	241850-6	1	Fan 60
6	415614-6	1	Gear Hsg.	38	517101-2	1	Armature Assy
7	211012-0	1	Ball Bearing 606ZZ				(Includes Items 36, 37, 39 & 40)
8	226818-3	1	Gear Com. 8-19-25	39	681614-0	1	Insulation Washer
9	211012-0	1	Ball Bearing 606ZZ	40	211026-9	1	Ball Bearing 627LLB
10	213314-0	1	Oil Seal 19	41	253707-9	1	Flat Washer 16
11	344177-4	1	Cup Washer 26	42	415618-8	1	Baffle Plate
12	233091-8	1	Compression Spring 16	43	<b>633410-2</b>	1	Field (Old 633295-6)
13	211206-7	1	Ball Bearing 620LLB	44	415601-5	1	Motor Hsg.
14	962153-2	1	Retaining Ring R-35	45	643923-5	2	Brush Holder
15	961055-9	1	Retaining Ring S-15	46	191927-6	2	Carbon Brush CB-407 (2pcs/Set)
16	226289-4	1	Spur Gear 27-38	47	858233-9	1	Name Plate F/HP2030
17	223104-3	1	Cam A		858234-7	1	Name Plate F/HP2031
18	*	1	Steel Ball	48	415622-7	2	Brush Holder Plate
19	213759-2	1	O Ring 72	49	266007-8	4	Tapping Screw Bind PT3x10
20	232053-3	1	Leaf Spring	50	421505-1	1	Cushion Rubber
21	415619-6	1	Change Lever A	51	265995-6	5	Tapping Screw 4x18
22	344178-2	1	Lock Plate	52	182724-1	1	Handle Set (Old 415616-2)
23	213162-7	1	O Ring 14	53	*	1	Switch
24	322787-7	1	Change Pin 8	54	410102-8	1	Key Holder (For 1/2" & 5/8" Chuck Key)
25	*	1	Cam Hsg Com.	55	265995-6	2	Tapping Screw 4x18
26	256251-5	1	Pin 4 (Old 256226-4)	56	687063-9	1	Strain Relief
27	415621-9	1	Rack12	57	682549-8	1	Cord Guard 8-85
28	344179-0	1	Change Plate	58	664013-1	1	Cord With Plug 2P-18-2.5M
29	344178-2	1	Lock Plate	59	182724-1	1	Handle Set (Old 415617-0) *
30	232143-2	1	Leaf Spring	60	819063-3	1	Makita Label
31	415620-1	1	Change Lever B	61	266060-4	2	Tapping Screw Flange PT4x65
32	213162-7	1	O Ring 14	62	266038-7	4	Tapping Screw Flange PT5x70

2 Model HP2030\*  
2 Model HP2031

Item No.	Part No.	No. Used	Description	Item No.	Part No.	No. Used	Description
63	256251-5	1	Pin 4 (Added)*	<b>Accessories</b>			
100	534024-9	1	Lead Assy (Purple) (Receptacle & Lead Wire)	A01	192552-6	1	1/2" Drill Chuck & Chuck Key Set (HP2030)
101	534023-1	1	Lead Assy (Orange) (Receptacle & Lead Wire)		192664-5	1	1/2" Keyless Chuck (HP2031) (Old 192521-7)
102	654126-6	2	Tab	A02	415486-9	1	Depth Gauge
103	654069-2	2	Receptacle	A03	763440-0	1	Chuck Key S13 (HP2030)
				A04	824485-4	1	Plastic Carrying Case
				A05	----	1	Hammer Bit (See Catalogue for Details)
				A06	765009-6	1	Blow-Out Bulb 64
				A07	192985-5	1	Grip Assy (Includes Items 4, 5, & 33) (Old 152489-0A)

## SERVICE CHANGES

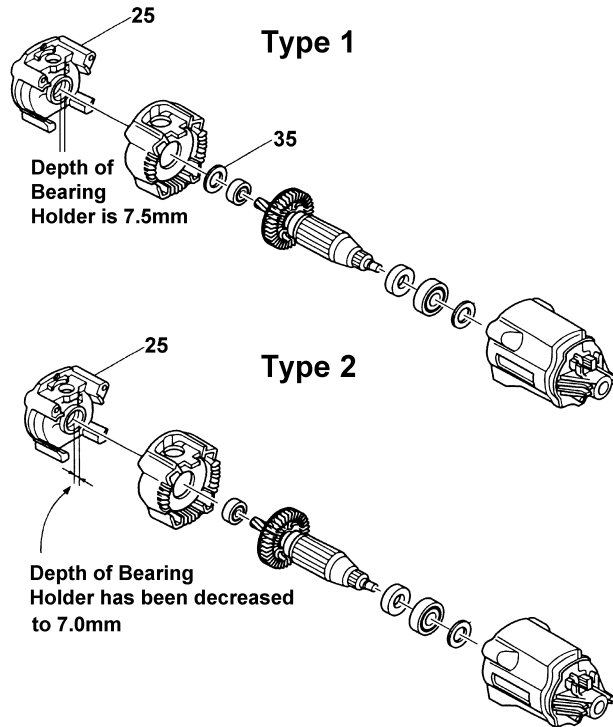
### 1. Change on Spindle, Steel Ball and Pin 4.



Item No.	Description	Type 1	Type 2
3	Spindle	322786-9	323854-1
18	Steel Ball	216018-3 (Size 5)	216001-0 (Size 3.5)
63	Pin 4	----	256251-5 (Added)
	Serial No.	~ 38634 E	38635E ~

Above parts are completely interchangeable as a set.

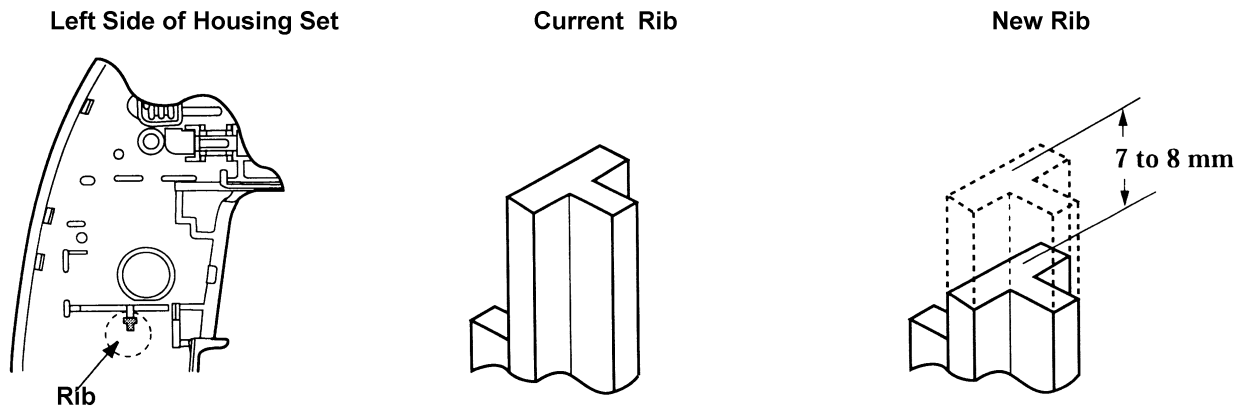
**2. Change on Cam Housing Com.**



Item No.	Description	Type 1	Type 2
25	Cam Hsg. Com.	159793-7(No Longer Available)	151764-0
35	Flat Washer 16	253707-9	-----
	Serial No.	N/A	N/A

Above parts are completely interchangeable as a set.  
 When replacing Cam Housing Com. Type 1 with Cam Hsg. Com Type 2 always remove the Item 35 on the Fan side of the Armature.

**3. Change on Switch and Handle Set**



The Rib encircled by the broken line has been shortened in height

Item No.	Description	Type 1	Type 2
53	Switch	651935-4	<b>651986-7</b> (651987-5)
59	Handle Set	182724-1	
		Higher Higher Height	Lower Rib Height

Above parts are completely interchangeable as a set.  
 When installing the Type 2 Switch on the current Left Handle, be sure to cut the rib by 7.0 to 8.0mm.